

1865 Remote PASS / FAIL Lights

It is often desirable to have large or remote PASS/FAIL indicators driven by the 1865 instrument measurement results. Figure 1 illustrates the pin-out of the I/O connector located on the rear panel of the 1865 instrument.

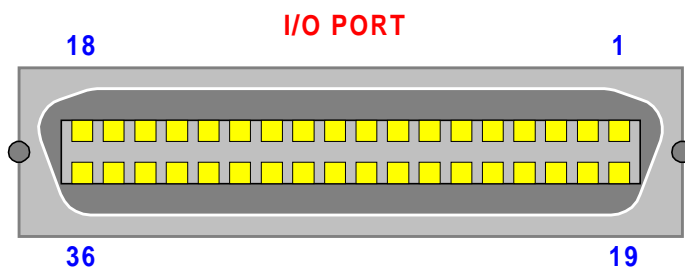


Figure 1: I/O Connector Rear Panel 1865 Instrument

Figures 2 and 3 illustrate two methods to connect remote Pass/Fail indicators to the I/O Port on the rear panel of the 1865 instrument. Figure 2 uses standard LED's and Figure 3 illustrates the use of common light bulbs. The red "fail" light and the green "pass" light can be reversed to create a high fail limit. Another variation is to replace the LED with a 5V buzzer to create an audible signal.

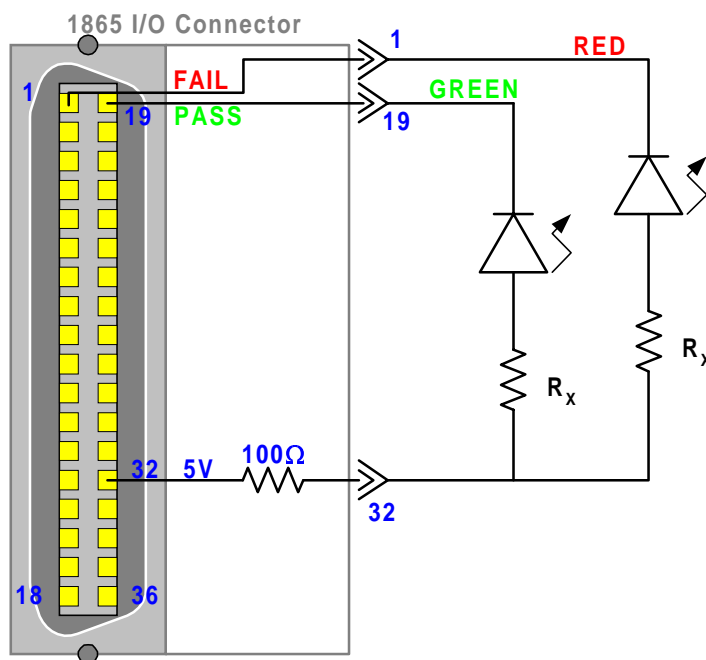


Figure 2: Pass/Fail LEDs

Connection using Light Bulbs

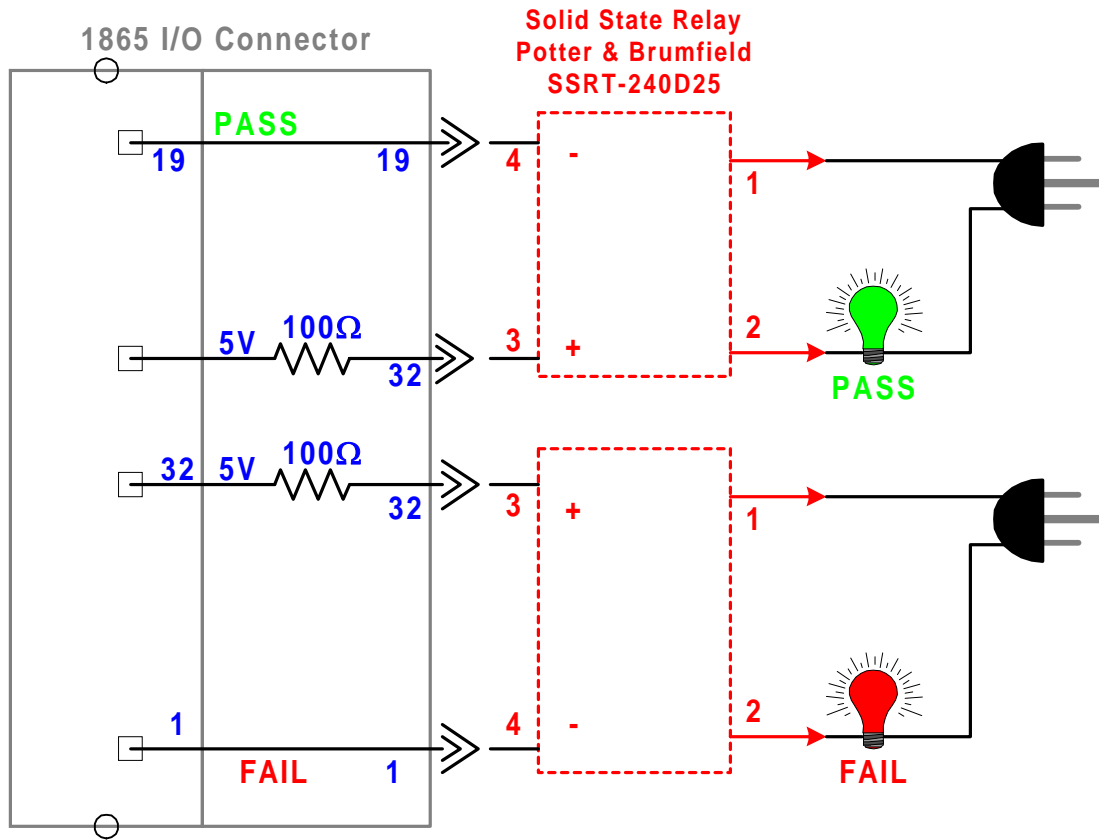


Figure 3: Pass/Fail Light Bulbs

NOTE

The Pass/Fail lines on the I/O port do **not** operate the same as the Pass/Fail indicators on the 1865 front panel. The front panel lights clear at the beginning of every measurement. Once an I/O line is activated (low), it remains low until the opposite condition is detected.

Suggested Parts:

36 Pin connector	Amp 552302-1 or equivalent
LED	Chicago Miniature CMD 5752 (red) CMD 5452 (green)
Rx	Rx is dependent on current requirements of LEDs (may not be needed).

For complete product specifications on the 1865 Megohmmeter/IR Tester or any of QuadTech's products, visit us at <http://www.quadtech.com/resources/dataindex.html>. Do you have an application specific testing need? Call us at 1-800-253-1230 or email applications at jkramer@quadtech.com and we'll work with you on a custom solution.

The information presented here is subject to change and is intended for general information only

©QuadTech, Incorporated

Telephone: 1- 800-253-1230, Website: <http://www.quadtech.com>

Printed in U.S.A.

P/N 035034

January 2001